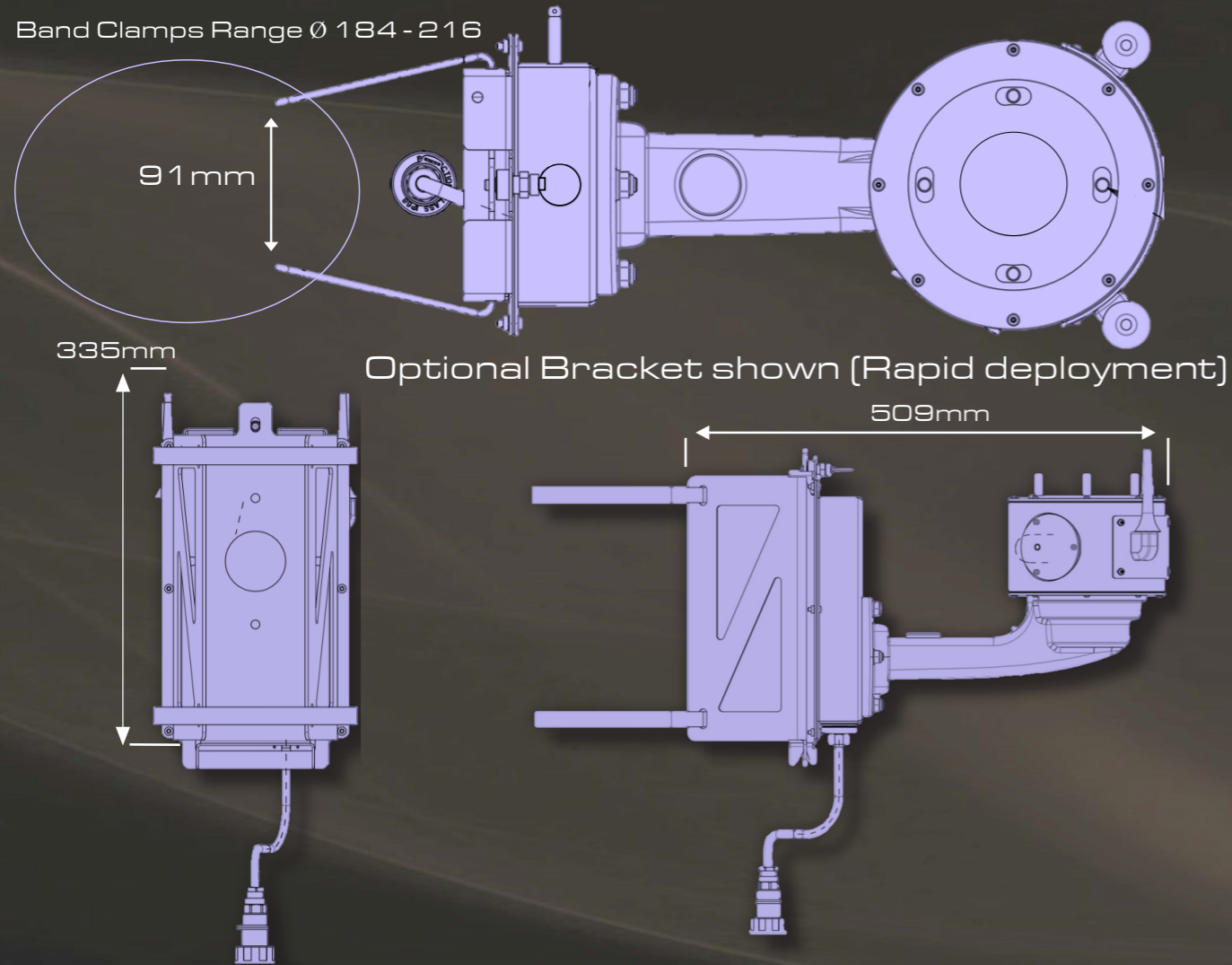


GENERAL	CONTROL ROOM INTEGRATION
H.264 Compression	Standard Integration over IP - RTSP H.264
Integration to existing VMS platforms available - costs may apply	Bespoke IP integration with most VMS platforms - costs may apply
Integrated 2.5G, 3G, 4G Ethernet, WiFi	ONVIF support
Local and remote recorded video playback and retrieval	Local storage on TX up to 1TB
Dynamic encoding profiles- manual and automatic	From 160 X 120 (4:3) to 1920 X 1080 (16:9)
Remote PTZ	On screen PTZ on live view of camera
GPS	Track Location of mobile unit [Mounted on car, van or truck]
Client server architecture	Customizable user login profiles
Mounting Options	Pole / Wall / Rapid deployment

For camera specifications, please refer to individual data sheets

Band Clamps Range Ø 184 - 216



For all models pole dimensions 134 - 216 mm

Weights with Rapid Deployment Bracket Fitted

VR Dome TX	12 KG
Predator TX	14 Kg
Invictus TX	14 Kg

The New TX Range



Ultimate wireless Video transmission

Hosting Service Available - For customers wishing to use a managed service where hosting is provided

Free Player / Review Software - Available for PC, IOS & Android devices

Data Included - Optional data bundle, removing recurring costs associated with video transmission





The NEW

TX Range

Ultimate wireless video transmission

Delivering high-quality video over low bandwidth, the 360 Vision Technology range of Predator, Invictus and lightweight VR Dome TX equipped PTZ cameras provide a reliable wireless video transmission solution, even within difficult transmission environments.

Suitable for rapid, temporary or permanent deployment applications, the ultra-reliable TX Range offers an integrated 'Plug & Play' surveillance solution with easy setup. Simply insert any data SIM card (cellular version), add power and the device is ready to go, connecting the moment it is switched on.

Keeping running costs to a minimum, the TX Range operates without the need for expensive airtime contracts. With complete

control of bandwidth used, you can choose the resolution and frame rate to transmit, dependent on the bandwidth available. Switch dynamically between low and high bandwidth video streams, dependent on networks capability, adjusting video quality to suit.

With TX Range optimised video compression and unique, low latency transmission technology – which is fully encrypted and secure, users can be assured of dependable performance.

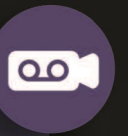
Low Power

'Low Power Mode' for inactive periods of operation, 'Intelligent Illumination' and 'Night Setting Presets' to control the illumination activity and low consumption components that all add up to greatly reduced power device for applications such as solar, fuel, battery and other low voltage sensitive applications



On Board Recording

Recording options of up to 1Tb give network backup, time lapse, FTP and alarm recording. Network sensing automatically senses when connection is lost to ensure that full HD, real time images can be recorded inside the camera, ensuring no information is lost



Latest Camera Modules

All TX Range cameras benefit from a choice of either Starvis or ULTRA low light technology from the stunning new 1/1.9" ULL sensors. Larger sensor = brighter, crisper and more defined COLOUR images at night



Dual Camera Technology

With a flexible specification using Dual Camera Technology, Predator Ultra Thermal TX can be ordered in a wide range of camera formats including Dual 640 Thermal TX Cameras and Thermal TX camera plus 1080P HD colour/Mono camera. Combining two camera technologies in one unit ensures the greatest technical flexibility and application compatibility



360 Degree View

Continuous rotation pan, unobstructed 360 degree view and 160 degree tilt (Predator & Invictus TX models only) provide unhindered surveillance monitoring



Ruggedised

Tested against shock, impact & vibration, TX Range cameras are IK10 certified for Urban and Roadside deployment applications. An Attack Detect Feature ensures if a physical attack is detected, the camera will automatically return to its original position post-attack - ensuring no loss of evidential footage



Paint Options

Standard high quality paint finish and optional long life 'Extreme' paint finish for marine/coastal applications – ensuring the operational and aesthetic features of the Invictus are protected



ONVIF Integration

Add to existing virtual matrix as an ONVIF device (some VMS platforms may need a VProxy)



Direct Drive Mechanism

Unlike many competitor products that utilise belt based drive systems, Predator and Invictus TX cameras incorporate ultra reliable and extremely quiet Direct Drive mechanisms, resulting in long life, high (and consistent) preset accuracy and long term reliability



Dedicated Setup Apps

3 APPS for Discovery, Configuration and Update. With an innovative thumbnail index, select and program from one central Network point. No need for browser add-ins, security permissions or internet necessary updates



Infra Red AND White Light (Optional)

The ONLY ruggedised cameras to offer BOTH infra red and white light to 200m. White light for intruder tracking and deterrence. Infrared LEDs offer discreet yet powerful illumination up to 550m and is also available in 940nm (Black Light) for covert IR applications



LED White Light

Predator and Invictus TX cameras offer a comprehensive range of white light illumination options - featuring distances up to 200m. White light offers powerful illumination for overt applications, intruder tracking and deterrence



Wireless

Live video is captured, encoded and can be transmitted over any network; including mobile GPRS, 3G/4G, Wireless 802.n, microwave links, satellite and broadband



Compression

TX Range cameras use highly efficient optimised video compression, with unique, minimal latency, fully encrypted and secure

